



Skywalker JA 128/50

*The Skywalker JA 128/50 is a high performance, robust and reliable jetting assembly suitable for solvent based, wide format graphic printers at resolutions up to 600 dpi.*

The Skywalker JA 128/50 jetting assembly has been designed specifically to meet the exacting performance requirements of high productivity, solvent based, wide format graphics printing. A total of 128 individually accessible channels are driven from a single piezoelectric ceramic crystal, providing excellent channel-to-channel uniformity. The nozzles are arranged in a single line, at a 0.020-inch spacing, for maximum interlace flexibility. The jetting assembly design has been optimized for high duty cycle operation up to 16 kHz. The high drop velocity and excellent jet straightness minimize banding artifacts.

The Skywalker JA 128/50 jetting assembly is easy to integrate into printer carriages. It incorporates an integral mounting bezel molded out of a durable, chemically inert engineering plastic. Registration features enable easy alignment to the carriage frame. The fluid interface is convenient and easy, through a single female Luer Lock fitting. Two electrical connectors at the top of jetting assembly allow each channel to be individually addressed. An optional Driver Chip Module reduces the electrical interface requirements to two serial data streams and the high voltage fire pulse used to actuate the pumping chambers.

Numerous design features have been incorporated to promote a long service life, including a robust stainless steel nozzle plate and replaceable ink inlet filter. All static sensitive electronics are located upstream of the jetting assembly, minimizing the likelihood of electrical failures. The fluid interface is positioned away from the jetting assembly housing to reduce the possibility of contaminating the electrical contacts.

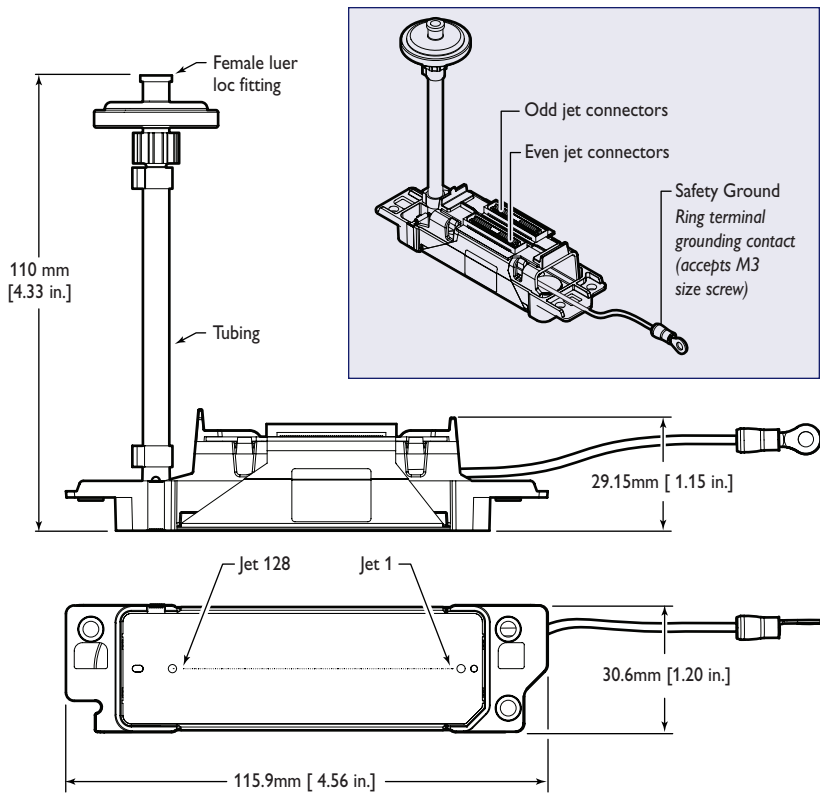
### Features:

- 50 picoliter nominal drop size
- 128 individually addressable, inline nozzles
- Excellent drop quality
- High frequency continuous operation
- Designed for long service life
- Replaceable ink inlet filter
- Permits high viscosity jetting fluids
- Integral mounting bezel
- Convenient and robust fluid interface
- Optional Driver Chip Module

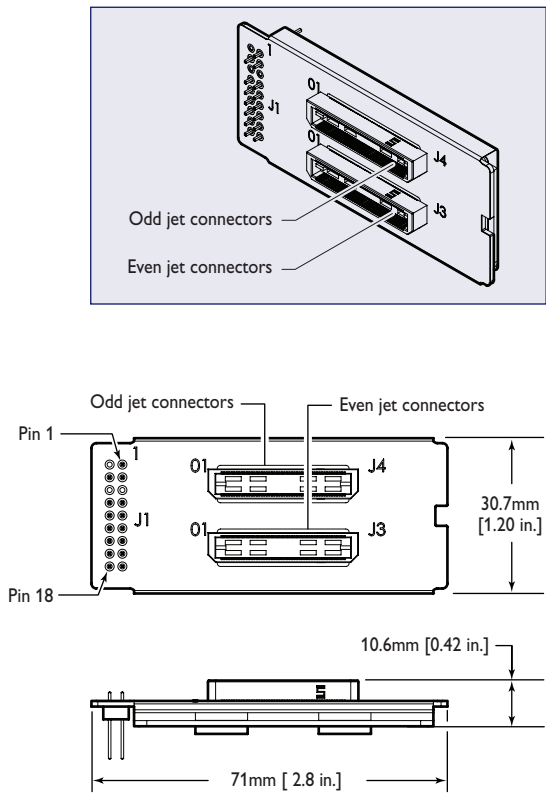
Parameter	Skywalker JA 128/50
Number of addressable jets	128
Nozzle spacing	508 microns [0.020 in.]
Nominal drop size	50 picoliters
Adjustment range for drop size	45 - 55 picoliters
Jet straightness, 1 sigma	7 mrad [0.4°]
Nominal drop velocity	8 m/sec
Operating temperature range	up to 50°C
Fluid viscosity range (at jetting temperature)	10 - 14 cP recommended
Compatible jetting fluids	Organic solvent inks
Maximum continuous operating frequency	16 kHz
Ink inlet filter pore size	20 microns

**Physical Dimensions**

**Skywalker JA 128/50**



**Optional SW50 Interface Drive Chip Module**



Product data presented above are for guideline purposes only. For design and engineering work using this product, please contact Spectra Technical Support for the appropriate Product Manual containing full Product Specifications.

<p><b>Corporate Office:</b> Dimatix, Inc. 2230 Martin Avenue Santa Clara, CA 95050 USA</p> <p>Tel: (408) 565-9150 Fax: (408) 565-9151 Email: info@dimatix.com</p>	<p><b>Spectra Printing Division Main Office:</b> Spectra Printing Division Etna Road Lebanon, NH 03766 USA</p> <p>Tel: (603) 443-5300 Fax: (603) 448-9870 Email: info@spectra-inc.com</p>	<p><b>European Office:</b> Tel: +44 7739 863 505 Fax: +44 870 167 4328 Email: euro@spectra-inc.com</p> <p><b>Japan Office:</b> Tel: +81 42 380 8400 Fax: +81 42 380 8819 Email: japan@spectra-inc.com</p>	<p><b>Korean Office:</b> Tel: +82 2 6242 6012 Fax: +82 2 6247 6012 Email: korea@spectra-inc.com</p>	<p><b>China Office:</b> Tel: + 86 139 2387 1043 Fax: + 86 755 2643 9648 Email: china@spectra-inc.com</p>
---	---	---	---	--